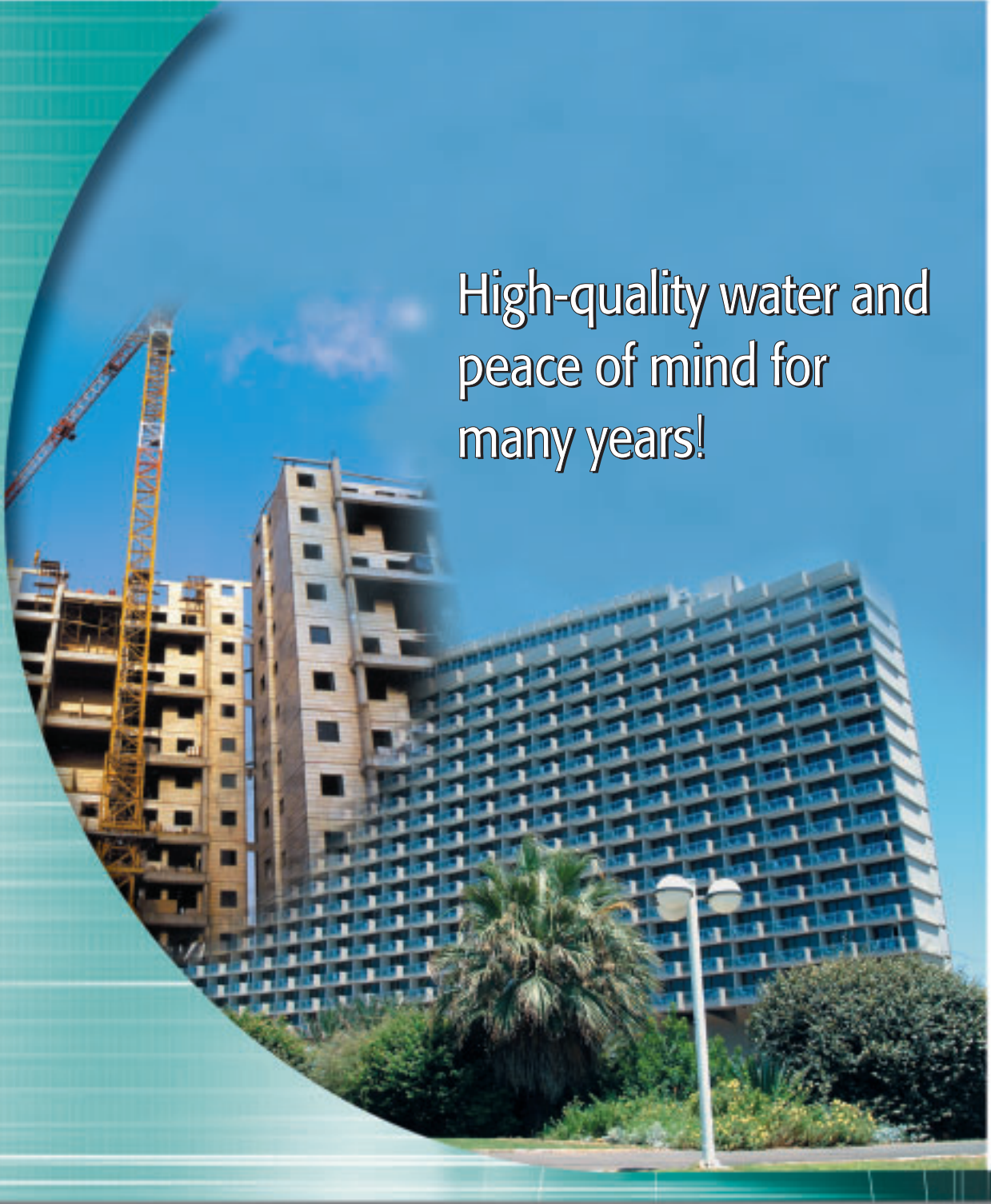


PEXGOL®

SHAFTS

Pexgol Pipe System for Shafts in High-Rise Buildings

High-quality water and
peace of mind for
many years!



GOLAN PLASTIC PRODUCTS

PEXGOL® SHAFTS

Pexgol pipe system for shafts in high-rise buildings

Pexgol pipes, a leader in residential water supply systems and urban water supply lines, is now claiming its share of the marketplace as a better solution for pipe systems in shafts for high-rise buildings: hotels, institutes and apartments.

The advantages of installing the flexible Pexgol Shafts system:
The Pexgol Shafts system is based on the flexible Pexgol pipes with a series of fittings that enable flexible design and easy installation.
Supplied in coils in long length!

How does the Flexible Pexgol System work?

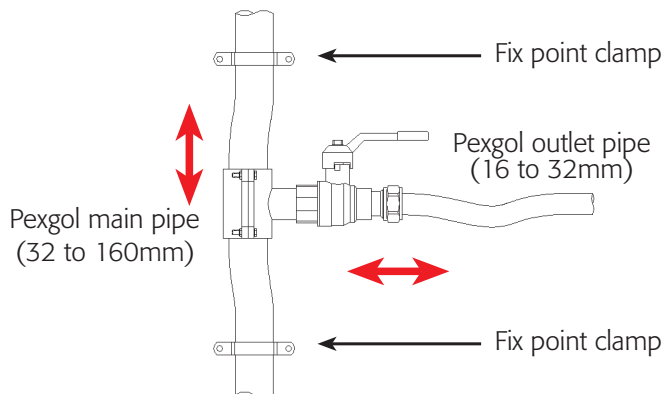
Changes in working temperature cause THERMAL ELONGATION AND CONTRACTION in all types of pipes. Attempting to control these movements by fixpoints will cause THERMAL STRESSES in the pipes.

Metal pipes and rigid plastic pipes like PP and PVC have relatively low thermal dilations, but they suffer from SEVERE THERMAL STRESSES due to their low flexibility. The outcome of this phenomenon may lead to premature failures, resulting in severe property damage.

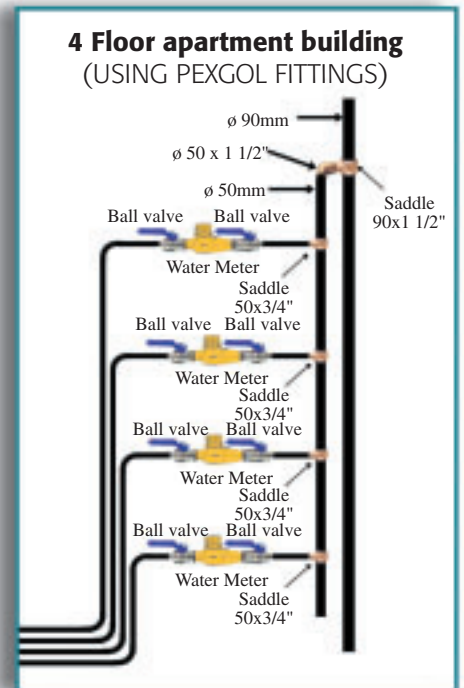
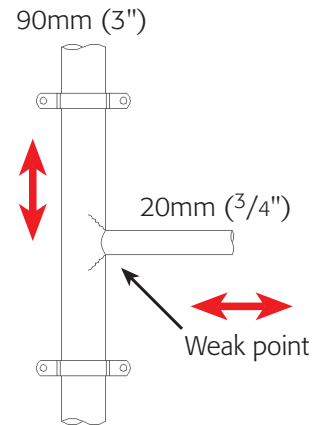
The high-flexible Pexgol pipes can easily handle these problems, and due to their flexibility, they do not suffer from any significant thermal stresses.

In the drawing you can see that the main Pexgol pipes move up and down, or sidewise and the outlet Pexgol pipes may also move accordingly. All this without inducing any stresses on the branch saddle, resulting in leakage-free branch outlets!

THE FLEXIBLE PEXGOL PIPES



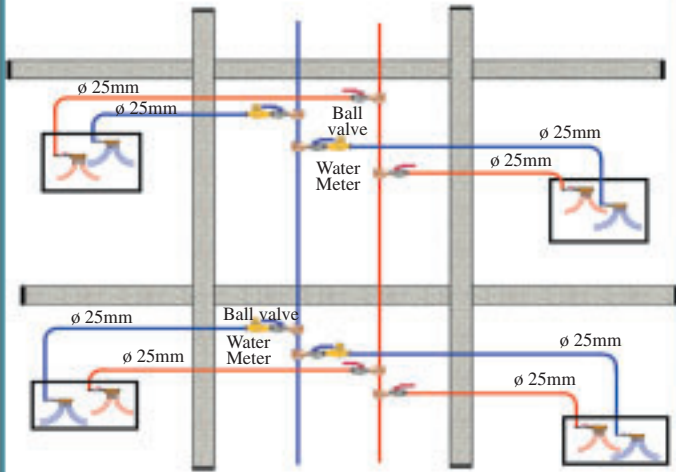
RIGID PIPES



Flexible Vertical Installation of PEXGOL Pipes in Shafts

The super-flexibility of PEXGOL pipes is broadly used in the PEXGOL Shafts System.

Apartment Building



1. The main pipe is a continuous one-section pipe without connections!

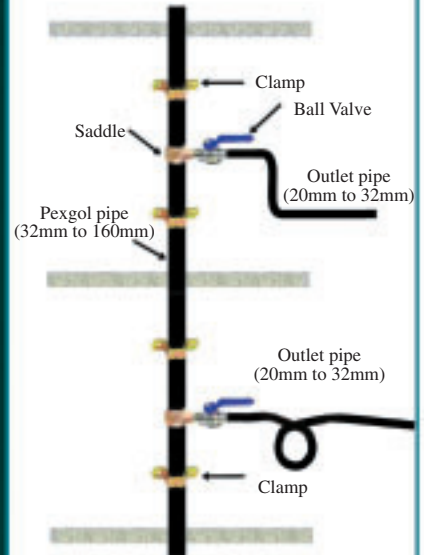
2. The main pipe is firmly fixed to the wall by two clamps. One clamp is located approximately one third of the way down from the ceiling and one third of the way up from the floor.

3. Robust non-welded branch-off saddles, specially designed for hot water supply systems with over 15 years of trouble free installations, in hotels in Israel and abroad!

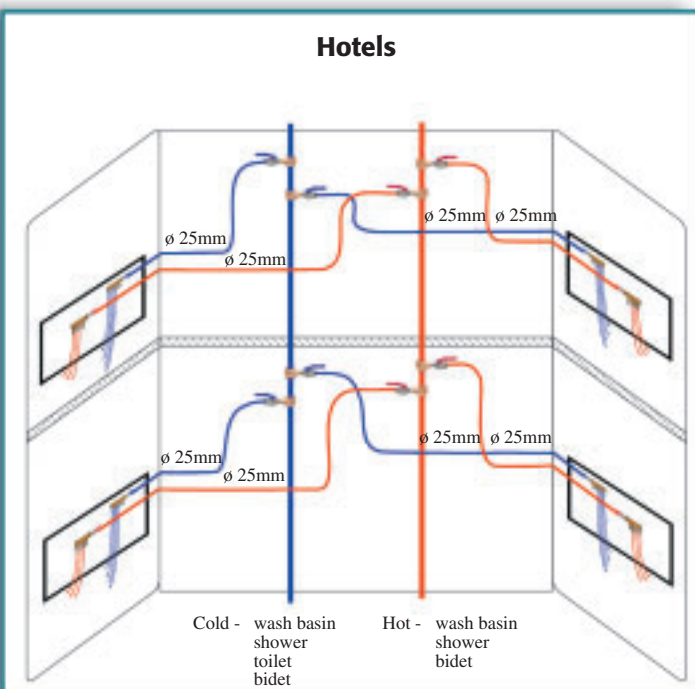
4. The flexibility of the system allows it to absorb thermal stresses (caused by temperature changes) or movements due to earthquakes.

Main pipe installation

(A partial drawing showing two floors)



Hotels



All the drawings presented here are of actually operating systems. The pipe diameters and catalog numbers of the fittings are presented as an example. Other pipe diameters and suitable fittings may be chosen in accordance to the specific project.



IONet

kiwa



NSF 61



THE STANDARDS INSTITUTION OF ISRAEL

PEXGOL SHAFTS

Pexgol pipe system for shafts in high-rise buildings

Long-term advantages:

- Quality water.
- Over 50 years of trouble-free service.
- Peace of mind for tenants and property owners.

End to corrosion:

- The Pexgol shafts system is totally resistant to internal and external corrosion, even under the harsh conditions existing in hot water pipes.

End to scale:

- The special extra smooth surface of Pexgol pipes prevent scale build-up.

Energy saving:

- Low heat losses due to better insulation.
- Low pressure losses.
- Low friction coefficient.
- No scale build-up.

Flexibility to future changes.

Compliance with leading international standards.

● No need to disconnect water supply during installation.

The flexibility of the Pexgol Shafts system allows the installation of the new pipes, side-by-side to the old defective pipes. The final-connections may be carried out at the last moment, ensuring continuous water supply and preventing inconvenience to occupants.

- **High cost saving** to hotels due to reduced down time in water supply lines!
- **High cost saving** to the installers!
- Connection of **up to 20 floors** using a single continuous pipe unit.
- **Unique branch-off saddles** eliminate the need to cut pipe.
- Total solutions for **hot and cold** water supply systems.
- Complete flexibility of selection from a **wide range of fittings**, as required.
- **Complete flexibility** in determining location of outlets, in accordance with the designer's requirements.
- **Simple and easy installation!** No need for special, heavy equipment, such as threading and welding machines!

MAXIMUM STANDARD LENGTHS OF PEXGOL PIPES

Class 15: 15 Bar at 20°C, 10 Bar at 60°C, 6 Bar at 95°C

| Pipe Dia. (mm) | Pipe Dia. (Inch) | Wall Thickness (mm) | Total length each coil | Total length in 20ft container |
|----------------|------------------|---------------------|------------------------|--------------------------------|
| 32 | 1" | 2.9 | 3,000m | 15,000m |
| 40 | 1 1/4" | 3.7 | 2,000m | 10,000m |
| 50 | 1 1/2" | 4.6 | 1,200m | 6,000m |
| 63 | 2" | 5.8 | 800m | 4,000m |
| 75 | 2 1/2" | 6.8 | 500m | 2,500m |
| 90 | 3" | 8.2 | 350m | 1,750m |
| 110 | 4" | 10.0 | 210m | 1,050m |
| 125* | 5" | 11.4 | 120m | 600m |
| 140* | 5" | 12.7 | 75m | 375m |
| 160* | 6" | 14.6 | 62m | 310m |

* Longer coils available by special order.



GOLAN PLASTIC PRODUCTS

Kibbutz Shaar Hagolan 15145, Israel, Tel +972-4-6677432, Fax. +972-4-6677451
E-mail: golan@golan-plastic.com www.pexgol.com